



RFID SEAL TAG
74 x 31 x 7 mm
NFC/HF 13.56 MHz
ISO14443
or
UHF 865...868 MHz(EU)
ISO/IEC18000-6

Product:	NFC or UHF RFID SEAL TAG for Easy Mounting on locks and all kind of other equipment.	
Chip Options:	NFC/HF: NXP NTAG213 UHF: NXP UCODE G2XM	
Read Range:	NFC about 10 to 20 mm UHF Stationary /Mobile Reader: up to 6 m / up to 4 m	(Depends on RFID IC type and reader power)
Frequencies:	NFC: 13.56 MHz UHF: 865...868 MHz	(At room temperature 20°C)
Dimensions / Weight:	(74 x 31 x 7) mm, details see page 2	7 g
Material / Colour:	ABS + PA	Grey (other colours on request)
Protection Class:	IP68	
Minimum Order Quantity:	1000 pieces	Minimum Production Lot: 1000 pcs
Operating- / Storage-Temperature:	-40°C ...+ 85°C	-40°C ...+ 85°C
Certification / Other:	CE	RoHS ✓
Part Descriptions:	74x31mm-NFC-ABS-PA-WIRE-SEAL-TAG-NTAG213 74x31mm-ABS-PA-WIRE-SEAL-TAG-UHF-UCODE-G2XM	NFC Part-No.: 123457210 UHF Part-No.: 123457211

arfidex GmbH | Adlerstraße 2 | D-63322 Rödermark | Germany | Phone: +49 (0) 6074 861930

www.arfidex.de | info@arfidex.de

© arfidex makes no warranty, representation, or guarantee regarding the information contained herein or the suitability of its products and services for any particular purpose, nor does arfidex assume any liability whatsoever arising out of the application or use of any product or circuit. The products sold hereunder and any other products sold by arfidex have been subject to limited testing and should not be used in conjunction with mission-critical equipment or applications. Any performance specifications are believed to be reliable but are not verified, and Buyer must conduct and complete all performance and other testing of the products, alone and together with, or installed in, any end-products. Buyer shall not rely on any data and performance specifications or parameters provided by arfidex. It is the Buyer's responsibility to independently determine suitability of any products and to test and verify the same. The information provided by arfidex hereunder is provided "as is, where is" and with all faults, and the entire risk associated with such information is entirely with the Buyer. arfidex does not grant, explicitly or implicitly, to any party any patent rights, licenses, or any other IP rights, whether with regard to such information itself or anything described by such information. Information provided in this document is proprietary to arfidex, and arfidex reserves the right to make any changes to the information in this document or to any products and services at any time without notice.



RFID SEAL TAG

74 x 31 x 7 mm

NFC/HF 13.56 MHz

ISO14443

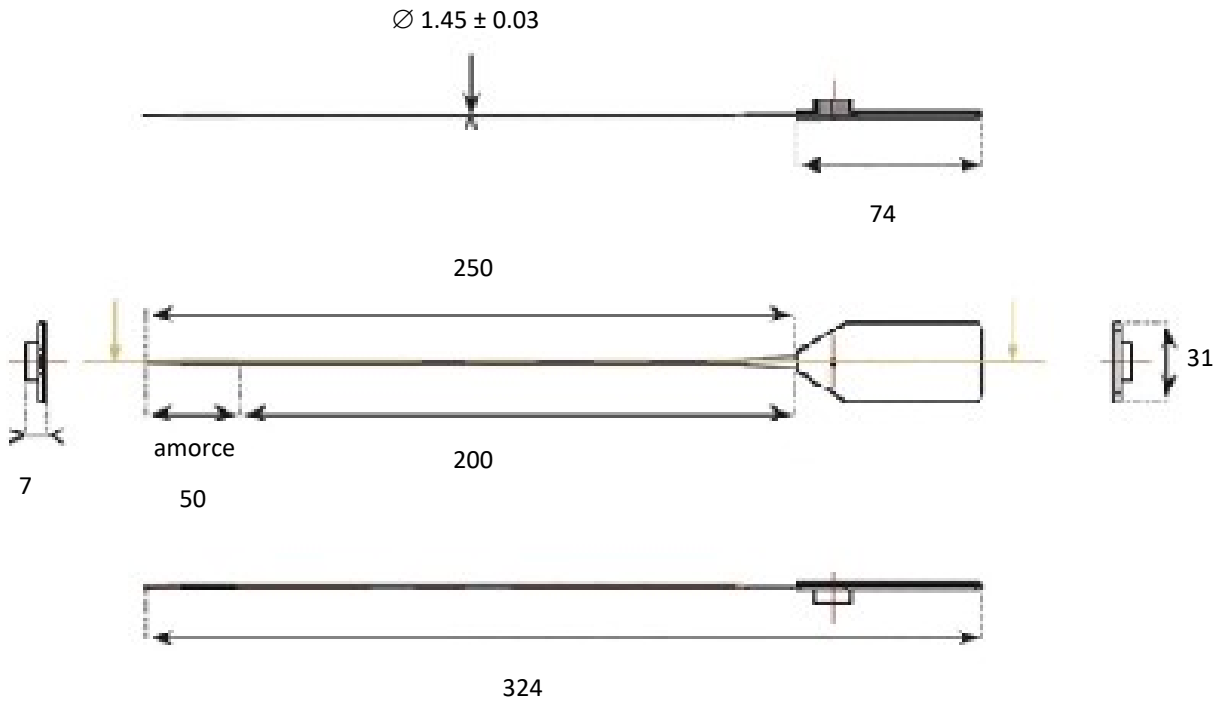
or

UHF 865...868 MHz(EU)

ISO/IEC18000-6



Dimensions [mm]:



arfidex GmbH | Adlerstraße 2 | D-63322 Rödermark | Germany | Phone: +49 (0) 6074 861930

www.arfidex.de | info@arfidex.de

© arfidex makes no warranty, representation, or guarantee regarding the information contained herein or the suitability of its products and services for any particular purpose, nor does arfidex assume any liability whatsoever arising out of the application or use of any product or circuit. The products sold hereunder and any other products sold by arfidex have been subject to limited testing and should not be used in conjunction with mission-critical equipment or applications. Any performance specifications are believed to be reliable but are not verified, and Buyer must conduct and complete all performance and other testing of the products, alone and together with, or installed in, any end-products. Buyer shall not rely on any data and performance specifications or parameters provided by arfidex. It is the Buyer's responsibility to independently determine suitability of any products and to test and verify the same. The information provided by arfidex hereunder is provided "as is, where is" and with all faults, and the entire risk associated with such information is entirely with the Buyer. arfidex does not grant, explicitly or implicitly, to any party any patent rights, licenses, or any other IP rights, whether with regard to such information itself or anything described by such information. Information provided in this document is proprietary to arfidex, and arfidex reserves the right to make any changes to the information in this document or to any products and services at any time without notice.



RFID SEAL TAG
74 x 31 x 7 mm
NFC/HF 13.56 MHz
ISO14443
or
UHF 865...868 MHz(EU)
ISO/IEC18000-6

Options:

- Other colour version available.
- Different Frequency Versions (UHF) country/region versions on request
- Customised laser printing
- Customised logo printing
- Serial Number printing
- UID Number printing

This passive (battery-less) NFC or UHF RFID transponder is used by system integrators or endusers to identify all kind of equipment in industrial environment.

Applications:

- Asset Management
- Container
- Industrial ID
- Inventory & Logistics
- Laundry Roll Cage
- Maintenance and Service
- Your application

arfidex GmbH | Adlerstraße 2 | D-63322 Rödermark | Germany | Phone: +49 (0) 6074 861930

www.arfidex.de | info@arfidex.de

© arfidex makes no warranty, representation, or guarantee regarding the information contained herein or the suitability of its products and services for any particular purpose, nor does arfidex assume any liability whatsoever arising out of the application or use of any product or circuit. The products sold hereunder and any other products sold by arfidex have been subject to limited testing and should not be used in conjunction with mission-critical equipment or applications. Any performance specifications are believed to be reliable but are not verified, and Buyer must conduct and complete all performance and other testing of the products, alone and together with, or installed in, any end-products. Buyer shall not rely on any data and performance specifications or parameters provided by arfidex. It is the Buyer's responsibility to independently determine suitability of any products and to test and verify the same. The information provided by arfidex hereunder is provided "as is, where is" and with all faults, and the entire risk associated with such information is entirely with the Buyer. arfidex does not grant, explicitly or implicitly, to any party any patent rights, licenses, or any other IP rights, whether with regard to such information itself or anything described by such information. Information provided in this document is proprietary to arfidex, and arfidex reserves the right to make any changes to the information in this document or to any products and services at any time without notice.